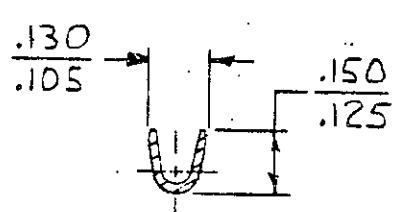
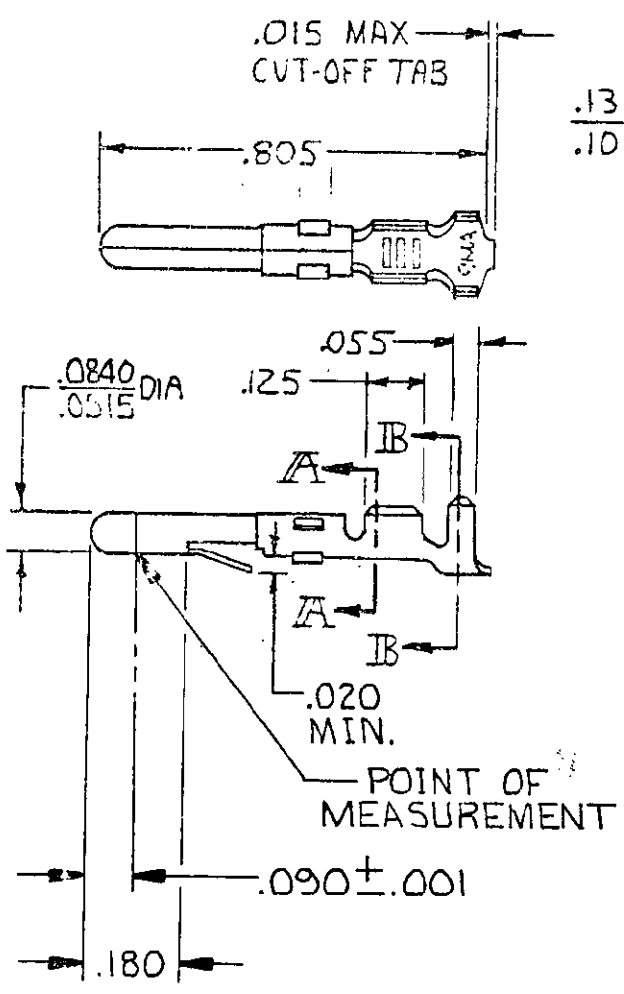
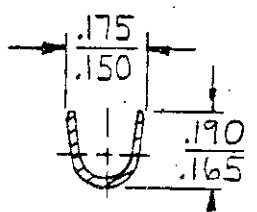


REVISIONS				
LTR	DESCRIPTION	DATE	DWN	APR
S1	REVISED PER ECO-11-005294	05APR11	RK	HMR



SECT A-A



SECT B-B

⚠ .000030 GOLD INSIDE WIRE BARREL & ON TIP OF PIN & REMAINDER OF CONTACT IS NICKEL PLATE.

GOLD. ⚠	.012 BRASS	60620-5
PRE-TIN	PLI. BRZ	-4
PRE-TIN	.012 BRASS	60620-1
FINISH	MATERIAL	PART NO

UNLESS OTHERWISE SPECIFIED DIMENSIONS ARE IN INCHES. TOLERANCES ON: DECIMALS ± .015 ANGLES ±

CONTRACT NO
DR *M. FEHER 11-26-79*
CHK *W. Heide 11/1/80*

STE TE Connectivity

MATERIAL
SEE TABLE

APPD *W. Heide 1-7-81*
APPD

NAME
PIN, LOOSE PIECE,
COMMERCIAL MATE-N-LOK

FINISH
SEE TABLE

INSULATION DIA
.130 MAX
WIRE RANGE
20-14 AWG

SIZE **A** CODE IDENT NO **00779** DRAWING NO **60620**
SCALE — SHEET —